

Preliminary Datasheet

Dimensions mm[inch]
 tolerances acc. to DIN ISO 2768-m
 Toleranzen gem. DIN ISO 2768-m

Isometric
 Scale 1:2
 Maßstab 1:2

Terminals

ends tinned
Enden verzinkt

Cable

round cable LIYY 2x0,14 mm², grau
 colour of wires: white and brown
*Rundkabel LIYY 2x0,14 mm², grau
 Adernfarben: weiss und braun*

Nut

polypropylene, nature
Mutter: Polypropylen, natur

O-ring

nitrile caoutchouc, black
O-ring Nitril Kautschuk, schwarz

Stem

polypropylene, nature
Schaft Polypropylen, natur

Nylon clip, 7mm

polyethylene, white
Polyethylen, weiß

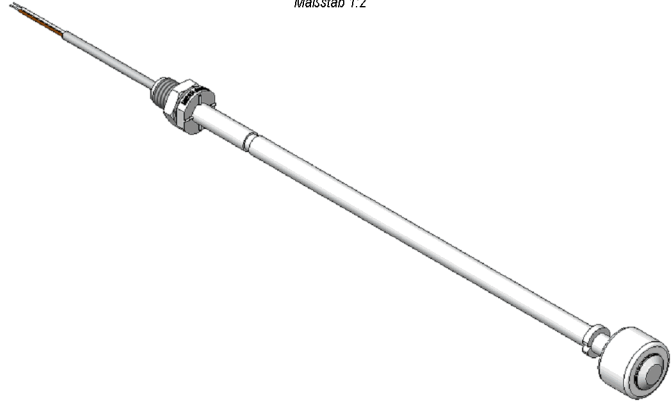
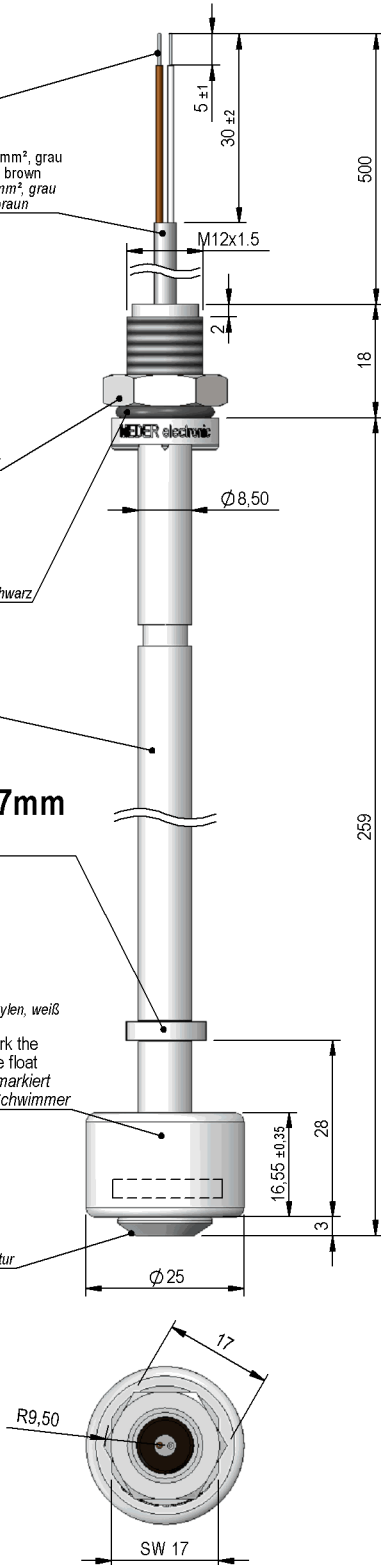
Float MS02

polypropylene, white
Schwimmer MS02 Polypropylen, weiß

the lightly toned ring mark the position of magnet in the float
der leicht getönte Ring markiert die Magnetposition im Schwimmer

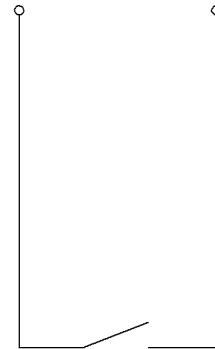
Stopper

polypropylene, nature
Stopper Polypropylen, natur



Switching scale

Schematic



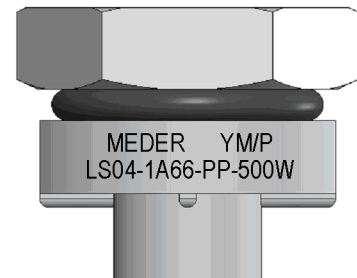
CLOSED
 GESCHLOSSEN



OPEN
 GEÖFFNET

Marking

according to EN60062/factory code
 gem. EN60062/Fertigungsstätte





Europe: +49 / 7731 8399 0 | Email: info@meder.com
 USA: +1 / 508 295 0771 | Email: salesusa@meder.com
 Asia: +852 / 2955 1682 | Email: salesasia@meder.com

Item No.:
9542660154
 Item:
LS04-1A66-PP-500W (Schließer)
250mm

Products for tomorrow...

Preliminary Datasheet

Contact data 66	Conditions	Min	Typ	Max	Unit
Contact rating				10	W
Switching voltage (<21 AT)				180	V
Switching current				0,5	A
Carry current				1,25	A

Special Product Data	Conditions	Min	Typ	Max	Unit
Number of contacts				1	
Contact - form				A - NO	
Sensor-resistance				380	mOhm
Housing material LS				Polypropylene	
Material of float				Polypropylene	
Case colour				nature	
Reach / RoHS conformity				yes	

Environmental data	Conditions	Min	Typ	Max	Unit
Shock				50	g
Vibration	from 10 - 1200 Hz			20	g
Operating temperature		-30		70	°C
Operating temperature		-5		70	°C
Storage temperature		-30		70	°C

Cable specification	Conditions	Min	Typ	Max	Unit
Cable type				round cable	
Cable material				PVC	
Cross section				0.14 sq-mm	

General data	Conditions	Min	Typ	Max	Unit
Mounting advice				over 5m cable, a resistor is recommended.	
Tightening torque				0,5	Nm

Modifications in the sense of technical progress are reserved

Designed at: 09.10.12 Designed by: GPAPPALARDO
 Last Change at: Last Change by:

Approval at: Approval by:
 Approval at: Approval by:

Version: 01