

Preliminary Datasheet

Dimensions mm[inch]
 tolerances acc. to DIN ISO 2768-m
 Toleranzen gem. DIN ISO 2768-m

Isometric
 Scale 1:2
 Maßstab 1:2

Terminals
 ends tinned
 Enden verzinkt

Cable
 round cable LIYY 3x0,14 mm², grau
 colour of wires: white, green and brown
 Rundkabel LIYY 3x0,14 mm², grau
 Ademfarben: weiss, grün und braun

Nut
 polyamid, black
 Mutter, Polyamid, black

O-ring
 nitrile caoutchouc black
 O-ring Nitril Kautschuk schwarz

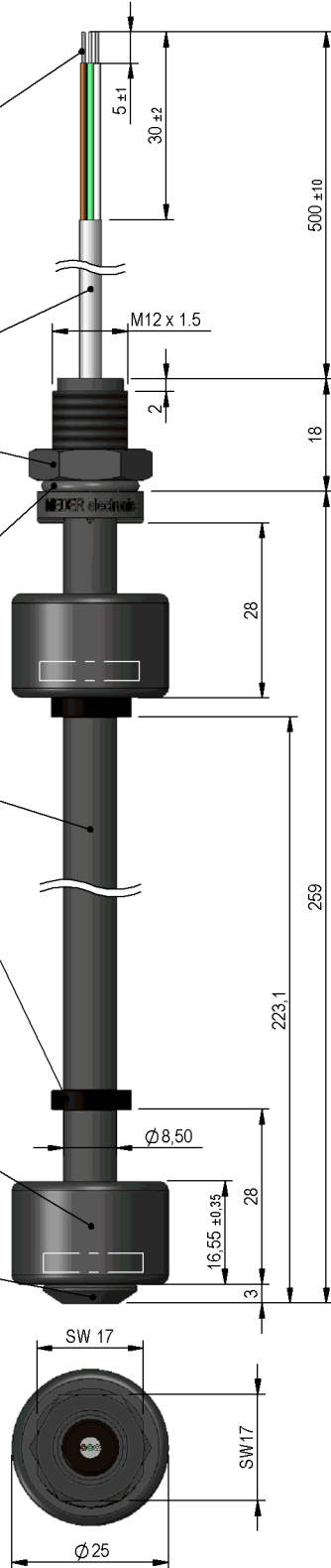
Stem
 polyamid, black
 Schaft Polyamid, schwarz

Nylon clip, 7mm
 polyethylene, black
 Polyethylen, schwarz

Float MS02
 polyamid, black
 Schwimmer MS02 Polyamid, schwarz

the lightly toned ring mark the position of magnet in the float
 der leicht getönte Ring markiert die Magnetposition im Schwimmer

Stopper
 polyamid, black
 Stopper Polyamid, schwarz



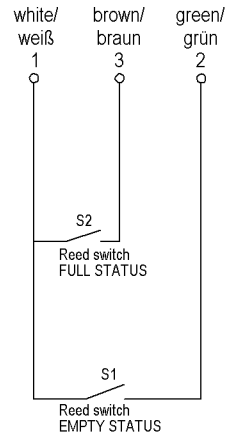
Switching scale

CLOSED
 GESCHLOSSEN



OPEN
 GEÖFFNET

Schematic



CLOSED
 GESCHLOSSEN



OPEN
 GEÖFFNET

Marking
 according to EN60062/factory code
 gem. EN60062/Fertigungsstätte





Europe: +49 / 7731 8399 0 | Email: info@meder.com
 USA: +1 / 508 295 0771 | Email: salesusa@meder.com
 Asia: +852 / 2955 1682 | Email: salesasia@meder.com

Item No.:
9541661154
 Item:
LS04-2A66-PA-500W (Schließer)
255 mm

Products for tomorrow...

Preliminary Datasheet

Contact data 66	Conditions	Min	Typ	Max	Unit
Contact rating	Any DC combination of V & A not to exceed their individual max.'s			10	W
Switching voltage (<21 AT)	DC or Peak AC			180	V
Switching current	DC or Peak AC			0,5	A
Carry current	DC or Peak AC			1,25	A

Special Product Data	Conditions	Min	Typ	Max	Unit
Number of contacts				2	
Contact - form				A - NO	
Sensor-resistance				380	mOhm
Housing material LS				Polyamid	
Material of float				Polyamid	
Case colour				black	
Reach / RoHS conformity				yes	

Environmental data	Conditions	Min	Typ	Max	Unit
Shock				50	g
Vibration	from 10 - 1200 Hz			20	g
Operating temperature		-30		70	°C
Operating temperature		-5		70	°C
Storage temperature		-30		70	°C

Cable specification	Conditions	Min	Typ	Max	Unit
Cable type				round cable	
Cable material				PVC	
Cross section				0.14 sq-mm	

General data	Conditions	Min	Typ	Max	Unit
Mounting advice				over 5m cable, a resistor is recommended.	
Tightening torque				0,5	Nm

Modifications in the sense of technical progress are reserved

Designed at: 11.09.12 Designed by: WKOVACS
 Last Change at: Last Change by:

Approval at: Approval by:
 Approval at: Approval by:

Version: 01