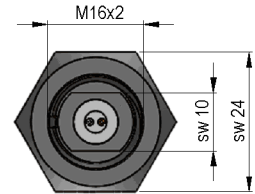
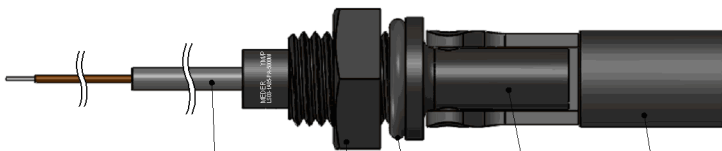
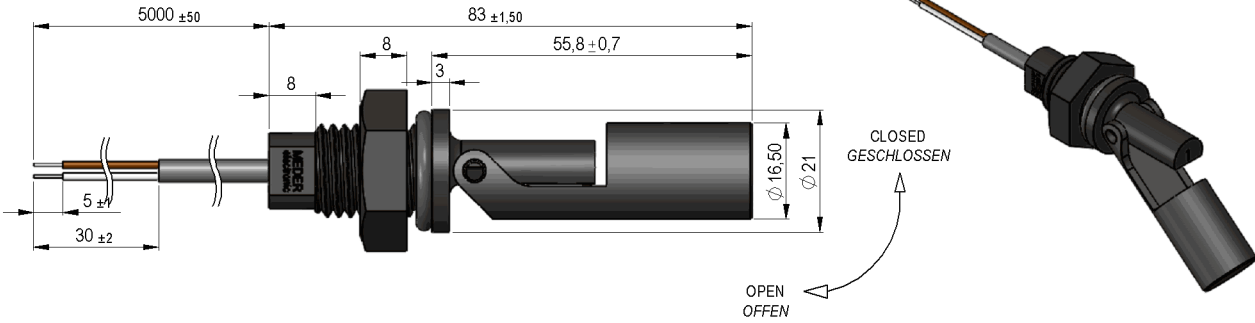


Dimensions mm[inch]

tolerances acc. to DIN ISO 2768-m
Toleranzen gem. DIN ISO 2768-m

Isometric

Scale 1:2
Maßstab 1:2



Cable

round cable LIYY2x0,25 mm², grey
colour of wires: white and brown
Rundkabel LIYY2x0,25 mm², grau
Aderfarben: weiss und braun

Nut

PA, black
Mutter
PA, schwarz

O-ring

NBR, black
O-ring
NBR, schwarz

Stem

PA, black
Schaft
PA, schwarz

Float LS03

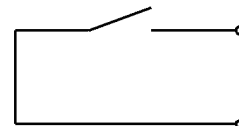
PA, black
Schwimmer LS03,
PA, schwarz

Marking

according to EN60062/factory code
gem. EN60062/Fertigungsstätte



Schematic





Europe: +49 / 7731 8399 0

| Email: info@standexmeder.com

Item No.:

USA: +1 / 508 295 0771

| Email: salesusa@standexmeder.com

9531851504

Asia: +852 / 2955 1682

| Email: salesasia@standexmeder.com

Item:

LS03-1A85-PA-5000W

Contact Data 85	Conditions	Min	Typ	Max	Unit
Contact-form			A		
Contact rating	Any DC combination of V & A not to exceed their individual max.'s			100	W
Switching voltage	DC or Peak AC			250	V
Switching current	DC or Peak AC			1	A
Carry current	DC or Peak AC 100% Duty Cycle			2,5	A

Special Product Data	Conditions	Min	Typ	Max	Unit
Number of contacts			1		
Contact - form			A - NO		
Sensor-resistance				920	mOhm
Housing material LS			Polyamid		
Material of float			Polyamid		
Case colour			black		
Sealing compound			Polyurethan		
Reach / RoHS conformity			yes		

Environmental data	Conditions	Min	Typ	Max	Unit
Shock				50	g
Vibration	from 10 - 1200 Hz			20	g
Operating temperature		-30		70	°C
Operating temperature		-5		70	°C
Storage temperature		-30		70	°C

Cable specification	Conditions	Min	Typ	Max	Unit
Cable type			round cable		
Cable material			PVC		
Cross section			0,25 sq-mm		

General data	Conditions	Min	Typ	Max	Unit
Mounting advice		over 5m cable, a resistor is recommended.			
Tightening torque				3	Nm

Modifications in the sense of technical progress are reserved

Designed at: 05.10.15 Designed by: WKOVACS

Approval at: 05.10.15 Approval by: DKUECHLER

Last Change at: Last Change by:

Approval at: Approval by:

Rev. No.: 01