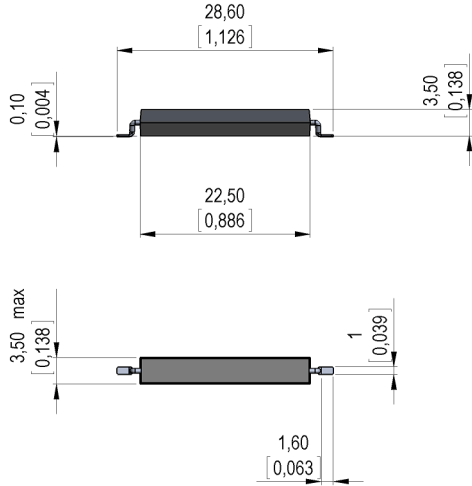


Dimensions mm[inch]
tolerances according to DIN ISO 2768-m
Toleranzen gem. DIN ISO 2768-m



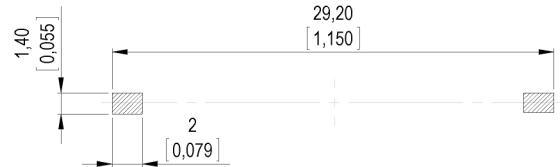
Isometric
Scale 1:1
Maßstab 1:1



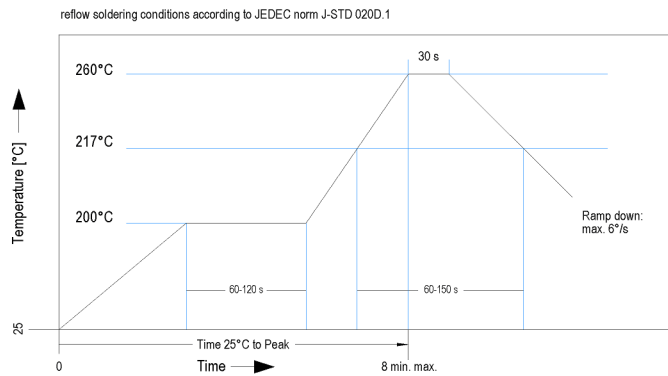
Marking
according to EN60062/factory code
gem. EN60062/Fertigungsstätte

MEDER MK30-E YM

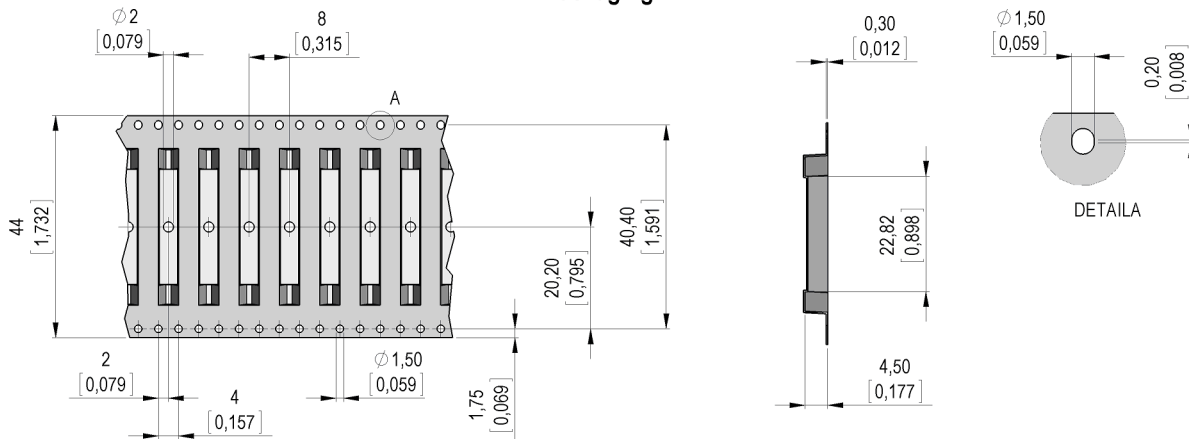
Recommended PCB Pad Layout



Solder Reflow Profile



Packaging





Europe: +49 / 7731 8399 0 | Email: info@meder.com
 USA: +1 / 508 295 0771 | Email: salesusa@meder.com
 Asia: +852 / 2955 1682 | Email: salesasia@meder.com

Item No.:
9301850025
 Item:
MK30-E-2

Magnetic properties	Conditions	Min	Typ	Max	Unit
Pull-In excitation (modified contact)	Reed switch modified phys. conditioned tolerance +/- 1 AT	57		78	AT
Test equipment	Testing 100%	KMS11 + AP114			
Pull-In in milliTesla (modified contact)	MS150 - phys. caused tolerance +/- 0,1mT	1,68		2,42	mT

Contact Data 85	Conditions	Min	Typ	Max	Unit
Contact rating	Any DC combination of V & A not to exceed their individual max.'s			100	W
Switching voltage	DC or Peak AC			1.000	V
Switching current	DC or Peak AC			1	A
Carry current	DC or Peak AC 100% Duty Cycle			2,5	A
Contact resistance static	Measured with 40% overdrive			150	mOhm
Contact resistance dynamic	Maximum value 1,5 ms after excitation			200	mOhm
Insulation resistance	RH <45 %, 100 V test voltage	10			GOhm
Breakdown voltage (20-30 AT)	according to EN 60255-5	2.300			VDC
Operate time incl. bounce	measured with 40% overdrive			1,1	ms
Release time	measured with no coil suppression			0,1	ms
Capacitance	@ 10 kHz across open switch		0,5		pF

Special Product Data	Conditions	Min	Typ	Max	Unit
Reach / RoHS conformity			yes		

Modified dimensions	Conditions	Min	Typ	Max	Unit
total length - SMD			28,6		mm

Environmental data	Conditions	Min	Typ	Max	Unit
Shock	1/2 sine, duration 11ms, in 3 axis			50	g
Vibration	from 10 - 2000 Hz			20	g
Operating temperature		-40		130	°C
Storage temperature		-55		130	°C
Soldering Temperature T _{sold}	Reflow acc.IPC/JEDEC J-STD-020D.1			260	°C

General data	Conditions	Min	Typ	Max	Unit
Packaging			Tape & Reel per 2500 pcs.		

Modifications in the sense of technical progress are reserved

Designed at: 17.04.13 Designed by: THAUKE
 Last Change at: Last Change by:

Approval at: 17.04.13 Approval by: AWEBER
 Approval at: Approval by:

Version: 1