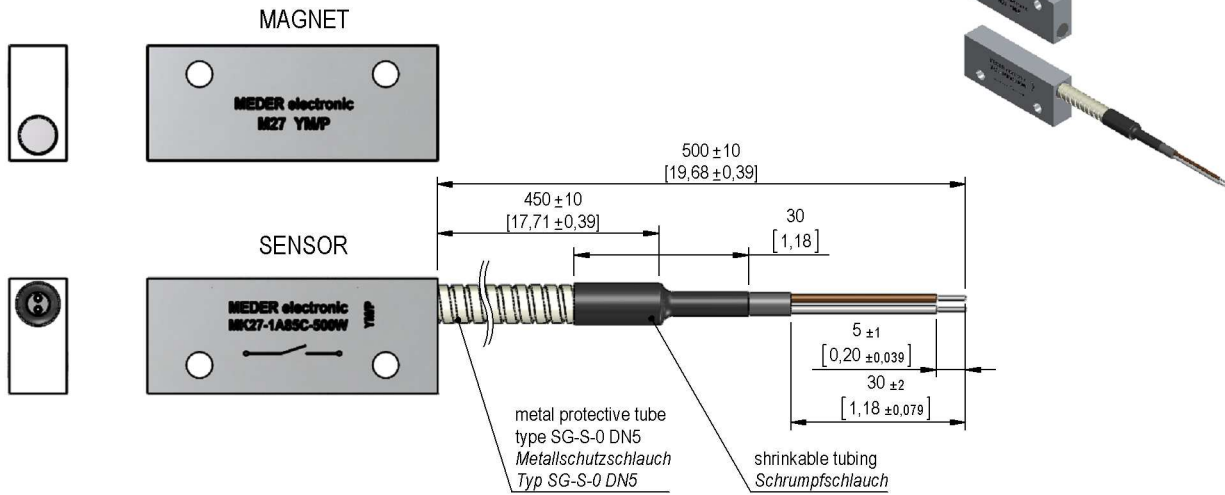


Dimensions mm[inch]
 tolerances acc. to DIN ISO 2768-m
 Toleranzen gem. DIN ISO 2768-m

Isometric
 Scale 1:2
 Maßstab 1:2



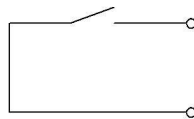
Cable

round cable LIYY AWG24, grey
 UL-Style 2464/1061
 colour of wires: white and brown
 Rundkabel LIYY AWG24, grau
 UL-Style 2464/1061
 Aderfarben: weiss und braun

Terminals/Connector

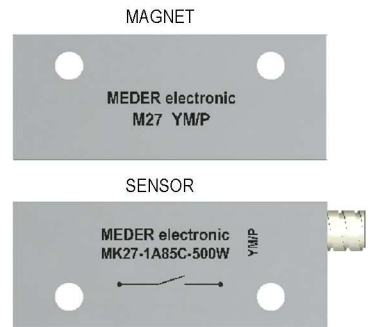
ends tinned
 Enden verzinkt

Schematic

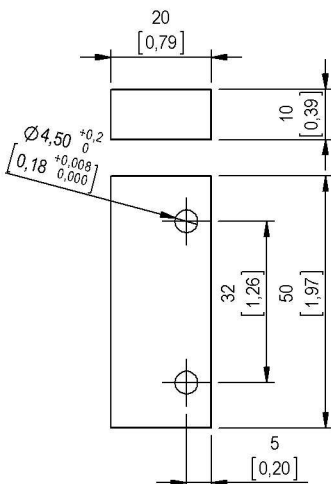


Marking

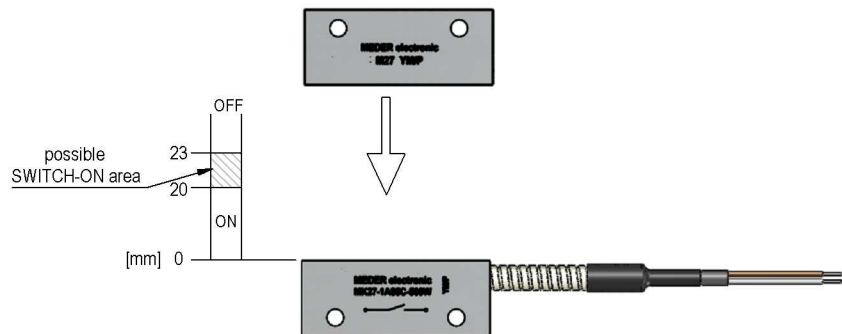
according to EN60062/factory code
 gem. EN60062/Fertigungsstätte



Housing sensor and magnet



Switching distances





Europe: +49 / 7731 8399 0 | Email: info@meder.com
 USA: +1 / 508 295 0771 | Email: salesusa@meder.com
 Asia: +852 / 2955 1682 | Email: salesasia@meder.com

Item No.:
9272851054
 Item:
MK27-1A85C-500W

Magnetic properties	Conditions	Min	Typ	Max	Unit
Pull-In	at 20°C	66		83	AT
Test equipment		KMS-38 + PH 053			

Contact Data 85	Conditions	Min	Typ	Max	Unit
Contact rating	Any DC combination of V & A not to exceed their individual max.'s			100	W
Switching voltage	DC or Peak AC			300	V
Switching current	DC or Peak AC			1	A
Carry current	DC or Peak AC 100% Duty Cycle			2,5	A

Special Product Data	Conditions	Min	Typ	Max	Unit
Contact - form		A - NO			
Sensor-resistance	measured with 40% overdrive			270	mOhm
Housing material		Aluminium			
Sealing compound		Polyurethan			
Reach / RoHS conformity		yes			

Environmental data	Conditions	Min	Typ	Max	Unit
Shock	1/2 sine, duration 11ms, in 3 axis			50	g
Vibration	from 10 - 2000 Hz			20	g
Operating temperature	cable not moved	-30		80	°C
Operating temperature	cable moved	-5		80	°C
Storage temperature		-30		80	°C

Cable specification	Conditions	Min	Typ	Max	Unit
Cable type		round cable			
Cable material		PVC			
Cross section		AWG 24			

General data	Conditions	Min	Typ	Max	Unit
Mounting advice		over 5m cable, a resistor is recommended.			
Mounting advice		Decreased switching distances by mounting on iron.			
Mounting advice		Magnetically conductive screws must not be used.			

Modifications in the sense of technical progress are reserved

Designed at: 29.06.12 Designed by: WKOVACS
 Last Change at: 14.02.13 Last Change by: WKOVACS

Approval at: 09.07.12 Approval by: AWEBER
 Approval at: 14.02.13 Approval by: AWEBER

Version: 04