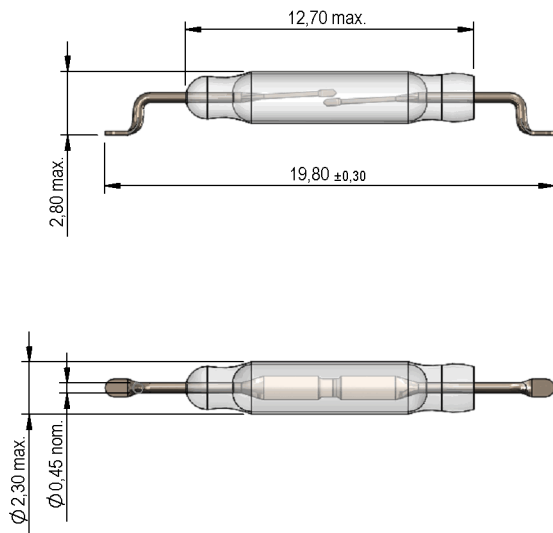
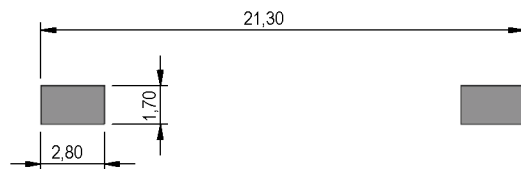


**Dimensions mm[inch]**  
tolerances according to DIN ISO 2768-m  
Toleranzen gem. DIN ISO 2768-m

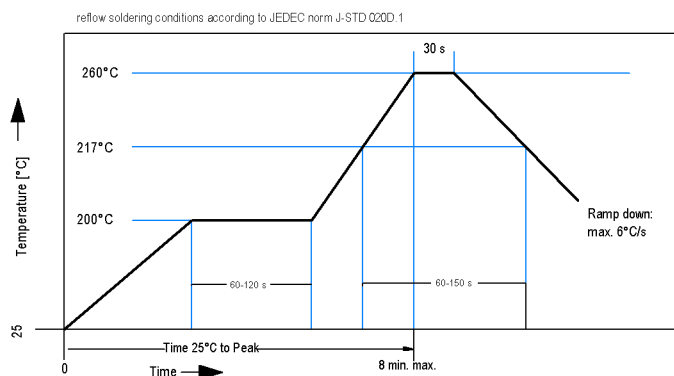
**Isometric**  
Scale: 2:1  
Maßstab 2:1



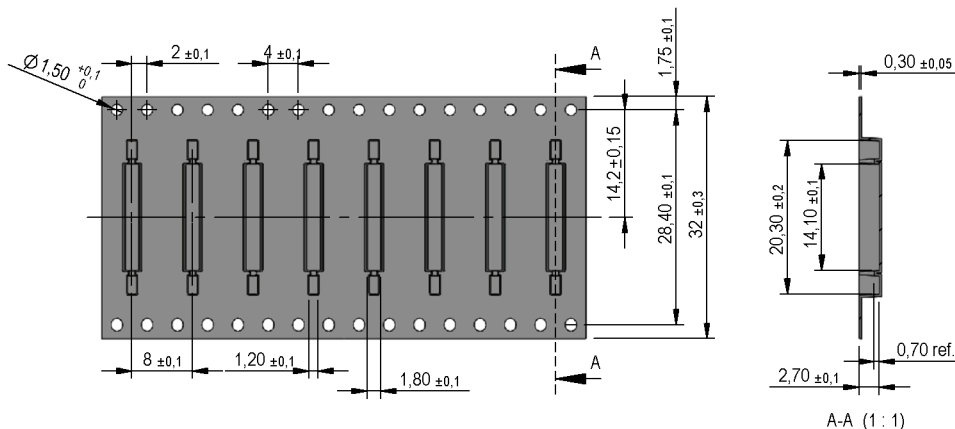
**Recommended PCB Pad Layout**



**Solder Reflow Profile**



**Packaging**





Europe: +49 / 7731 8399 0

| Email: info@standexmeder.com

USA: +1 / 508 295 0771

| Email: salesusa@standexmeder.com

Asia: +852 / 2955 1682

| Email: salesasia@standexmeder.com

Item No.:

**9231062530**

Item:

**MK23-501-E-2**

Magnetic properties	Conditions	Min	Typ	Max	Unit
Pull-In excitation (modified contact)	Reed switch modified phys. conditioned tolerance +/- 1 AT	40		62	AT
Test equipment		KMS-11			

Contact data 06/2	Conditions	Min	Typ	Max	Unit
Contact - No.		06/2			
Contact-form		A			
Contact-material		PGM-alloy			
Contact rating				10	W
Switching voltage				200	V
Switching current				0,5	A
Carry current				1	A
Contact resistance static				100	mOhm
Insulation resistance		10			GOhm
Breakdown voltage		250			VDC
Operate time incl. bounce				0,5	ms
Release time				0,1	ms
Capacity			0,3		pF

Special Product Data	Conditions	Min	Typ	Max	Unit
Reach / RoHS conformity		yes			

Environmental data	Conditions	Min	Typ	Max	Unit
Shock	1/2 sine, duration 11ms, in 3 axis			50	g
Vibration	from 10 - 2000 Hz			20	g
Operating temperature		-40		125	°C
Storage temperature		-50		155	°C
Soldering Temperature Tsold	Reflow acc.IPC/JEDEC J-STD-020D.1			260	°C

General data	Conditions	Min	Typ	Max	Unit
Packaging		Tape & Reel 2500 pcs.			

Modifications in the sense of technical progress are reserved

Designed at: 07.08.13 Designed by: WKOVACS

Approval at: 26.03.15 Approval by: DKUECHLER

Last Change at: 28.05.15 Last Change by: WKOVACS

Approval at: 02.06.15 Approval by: DKUECHLER

Rev. No.: 02