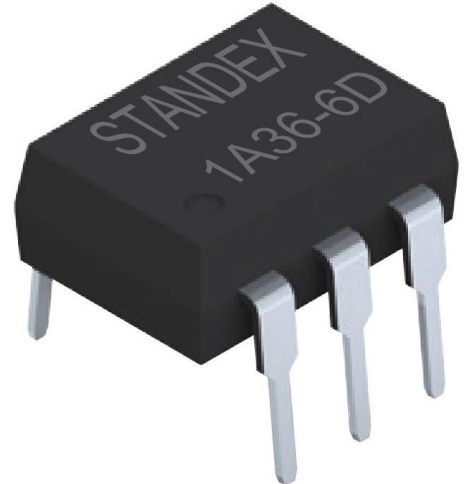


# 36 Series Photo-MOSFET Relay

- **Features:** High Current Photo MOSFET Relay, switching up to 2.5 Amps
- THT or SMD ; UL listed, RoHS Compliance
- **Applications:** Automatic Test Equipment, Battery Management Systems, I/O Modules, Telephone Equipment
- **Markets:** Automotive, Telecommunication, Test & Measurement, Security



Part Description: **SMP-XA36-6XX-X**

Number of Poles	Contact Form	Series Number	Number of Pins	Mounting Type	Package Style	Special Features
1	A	36	6	D, S	Tube, Reel	Nil, R

See page 4 for Glossary

### Maximum Ratings @ Ambient Temperature = 25°C

Parameters	Symbol	Value	Units	Condition
		1A36-6D, S		
<b>INPUT SPECIFICATIONS</b>				
Continuous LED Current	$I_F$	50	mA	-
Peak LED Current	$I_{FP}$	500	mA	f=100Hz, 1% Duty Cycle
LED Reverse Voltage	$V_R$	5	V	-
Input Power Dissipation	$P_{IN}$	75	mW	-
<b>OUTPUT SPECIFICATIONS</b>				
Load Voltage	$V_L$	60	DC or Peak AC	-
Load Current	$I_L$	2.5	A	Schematic 1 (AC or DC)
	$I_L$	3.5	A	Schematic 2 (DC)
	$I_L$	5.0	A	Schematic 3 (DC)
Peak Load Current	$I_{PEAK}$	6.0	A	1 ms, 1 shot
Output Power Dissipation	$P_{OUT}$	500	mW	-
<b>GENERAL SPECIFICATIONS</b>				
Total Power Dissipation	$P_T$	550	mW	-
I/O Breakdown Voltage	$V_{I/O}$	3750	$V_{RMS}$	-
I/O Breakdown Voltage	$V_{I/O}$	5000	$V_{RMS}$	Suffix R
Operating Temperature	$T_{OPR}$	-40/+85	°C	-
Storage Temperature	$T_{STG}$	-40/+100	°C	-



RoHS

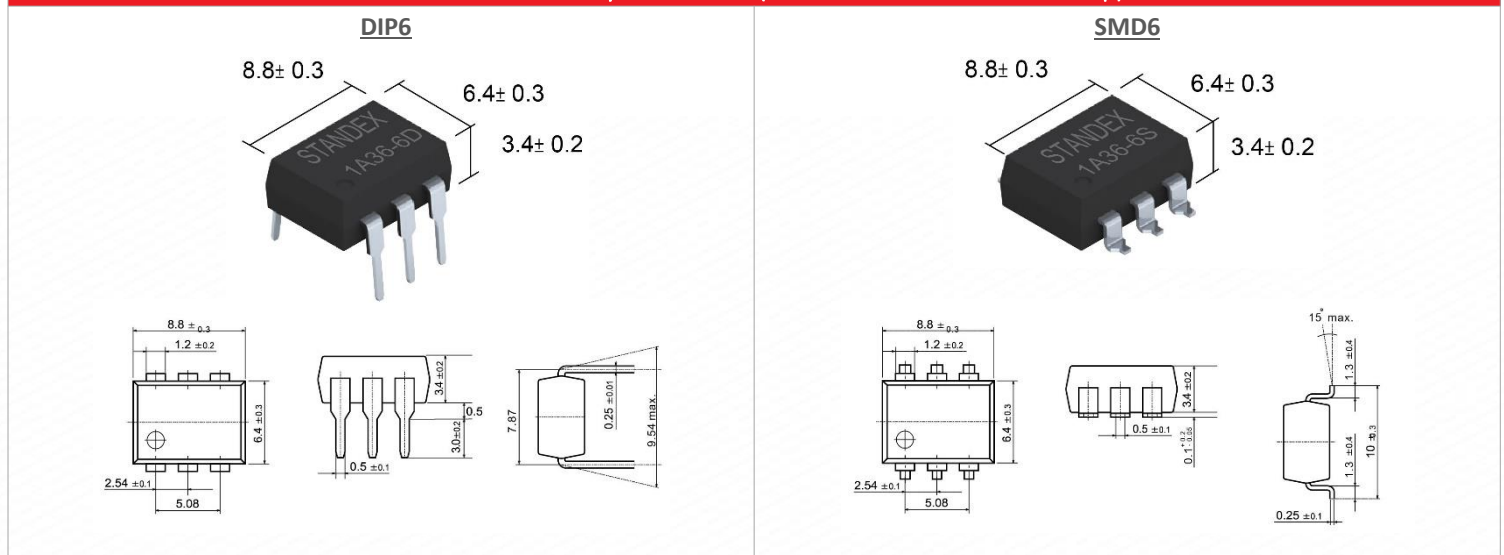
REACH  
COMPLIANT

# 36 Series Photo-MOSFET Relay

## Maximum Ratings @ Ambient Temperature = 25°C

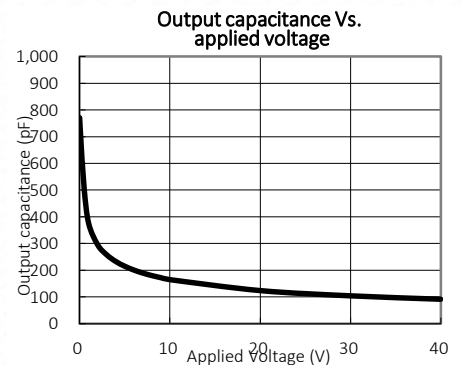
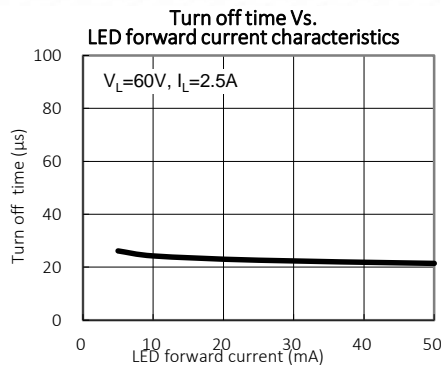
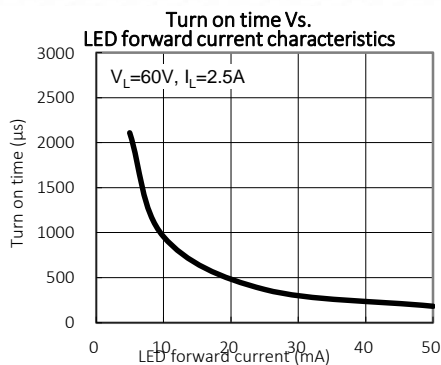
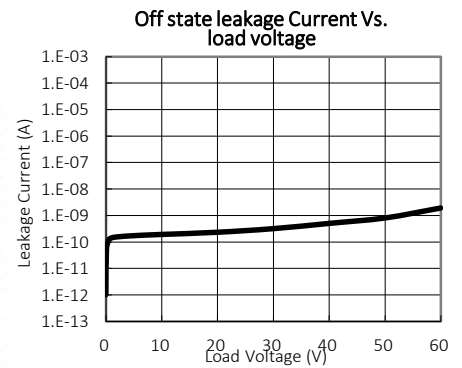
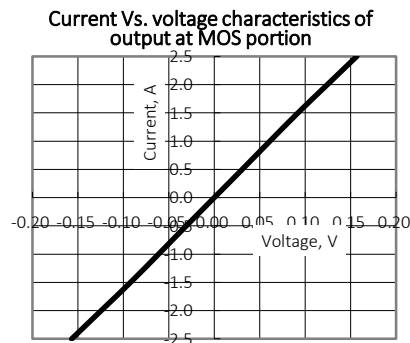
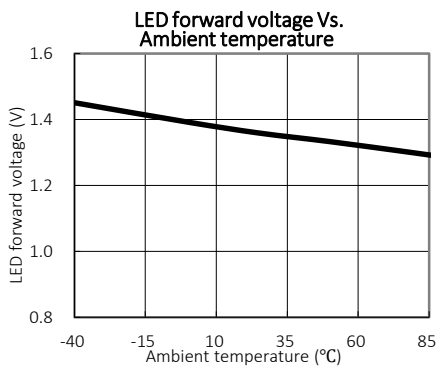
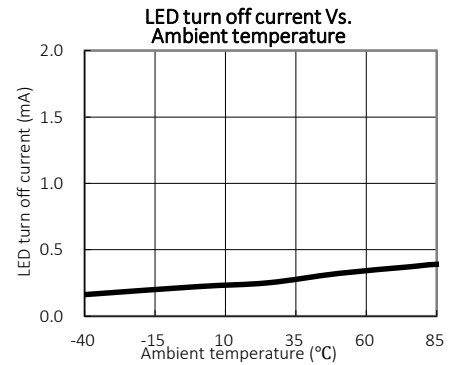
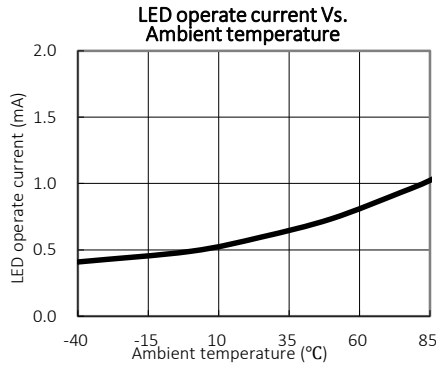
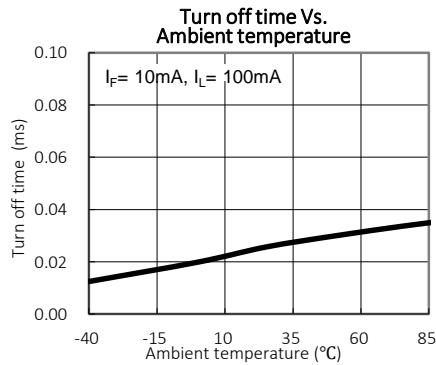
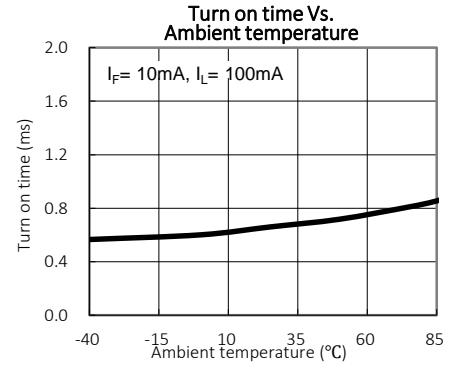
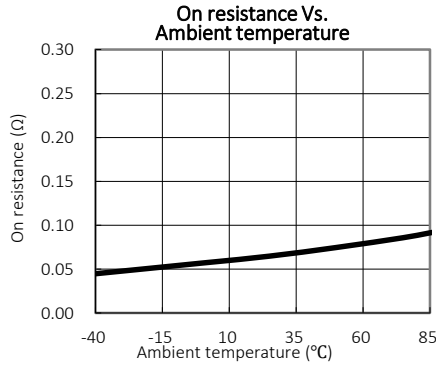
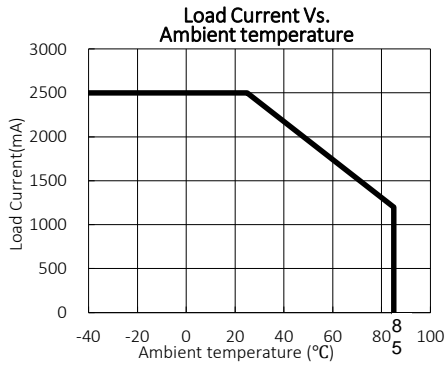
Parameters	Symbol	Min	Typ	Max	Units	Condition
<b>INPUT SPECIFICATIONS</b>						
LED Forward Voltage	$V_F$	1.0	1.7	1.5	V	$I_F = 10\text{mA}$
Operation LED Current	$I_{F\text{ ON}}$	-	1.5	3.0	mA	-
Recovery LED Voltage	$V_{F\text{ OFF}}$	0.5	1.0	-	V	-
<b>OUTPUT SPECIFICATIONS</b>						
On Resistance: Drain to Drain	$R_{\text{ON}}$	-	0.07	0.03	$\Omega$	$I_F = 10\text{mA}$ , $I_L = \text{Rating}$ (within 1 sec.)
Off-State Leakage Current	$I_{\text{LEAK}}$	-	-	1.0	$\mu\text{A}$	$V_L = 60\text{V}$
Output Capacitance	$C_{\text{OUT}}$	-	470	-	$\rho\text{F}$	$V_L = 0\text{V}$ , $f = 1\text{MHz}$
<b>TRANSMISSION SPECIFICATIONS</b>						
Turn-On Time	$T_{\text{ON}}$	-	0.6	3.0	ms	$I_F = 10\text{mA}$ , $I_L = \text{Rating}$
Turn-Off Time	$T_{\text{OFF}}$	-	0.04	0.5	ms	
<b>COUPLED SPECIFICATIONS</b>						
I/O Insulation Resistance	$R_{\text{I/O}}$	$5 \times 10^9$	-	-	$\Omega$	-
I/O Capacitance	$C_{\text{I/O}}$	-	1.0	-	$\rho\text{F}$	$f = 1\text{MHz}$

## Photo-MOSFET Relay Dimensions (Tolerances acc. to ISO 2768-mp)

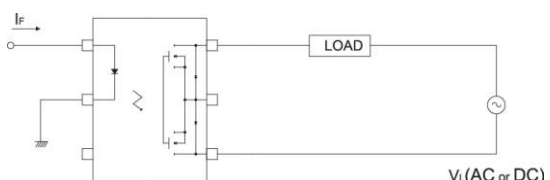
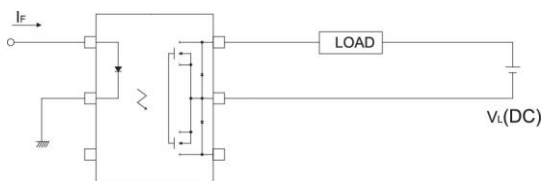
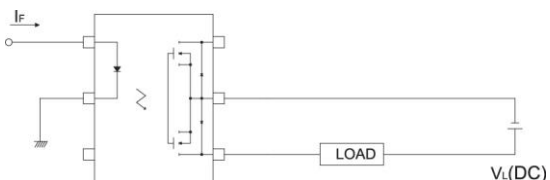
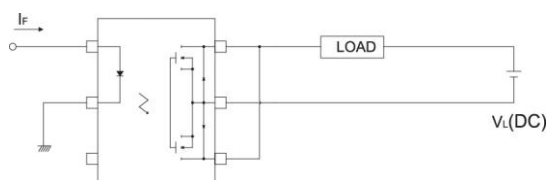


# 36 Series Photo-MOSFET Relay

## Photo MOSFET Relay Reference Data



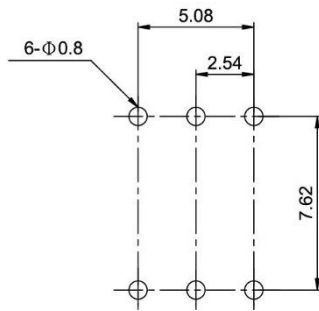
# 36 Series Photo-MOSFET Relay

Photo-MOSFET Relay Load Connection Method			
TYPE	LOAD	CONNECTION	FEATURE
6-PIN	AC OR DC		Control bi-directional signal
	DC		On-Resistance is 1/2 of connection 1  2-Make-contacts (Source Common)
			
	DC		On-Resistance is 1/2 of connection 2

# 36 Series Photo-MOSFET Relay

Photo MOSFET Relay Recommended PCB Pad Layout (Tolerances acc. to ISO 2768-mp)

DIP4 (Bottom View)



SMD6 (Top View)

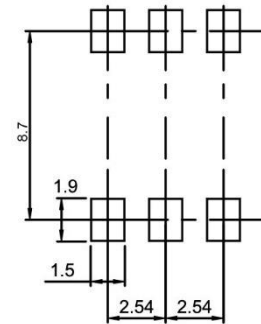
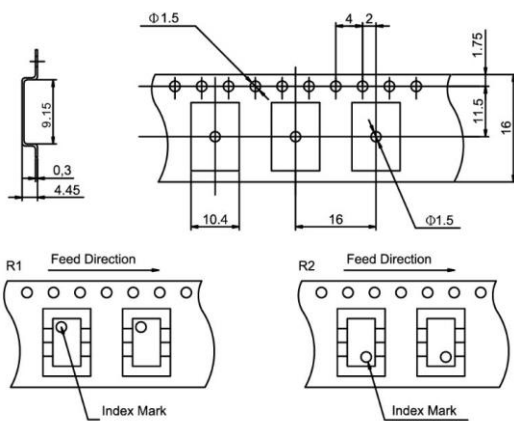


Photo MOSFET Relay Tape & Reel Packaging (1,000 pcs per reel) / THT Packaging (50 pcs per tube)



SMD6

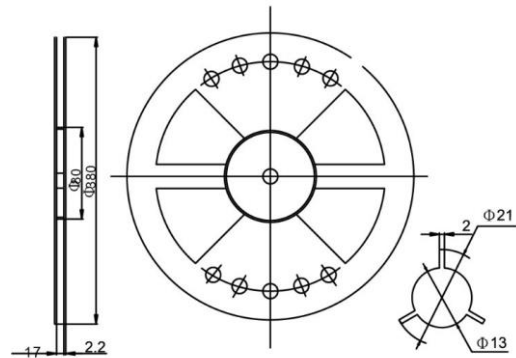
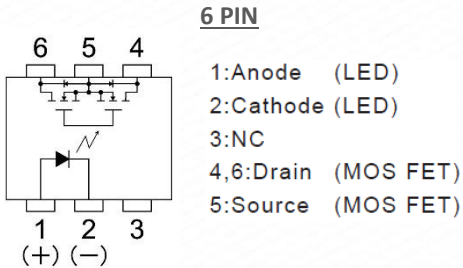


Photo MOSFET Relay Pin-Out (Top View)



Glossary Options

D	DIP (Dual-In-Line Package)
S	SMD (Surface Mount Design)
P	SOP (Small-Outline Package)
Q	AEC-Q101 / High Temperature
R	Reinforced Isolation

**Please note:** All technical specifications in this series datasheet refer to the standard product range. Modifications in the sense of technical progress are reserved. For general information only. For more specific information, please consult the product datasheet, available upon request.

This series datasheet could contain technical inaccuracies or typographical errors. Changes are periodically made to the information herein. These changes will be incorporated in future revisions.

For deviating values, latest specifications and product details, please contact your nearest sales office.