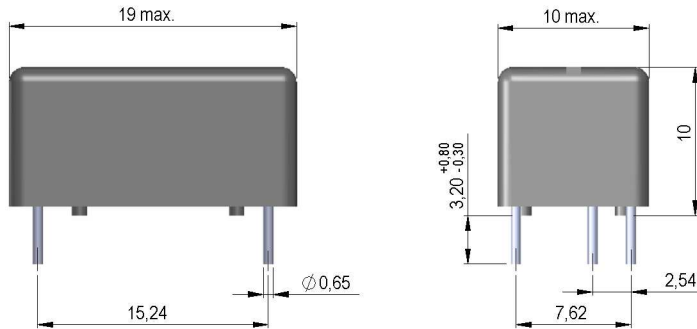
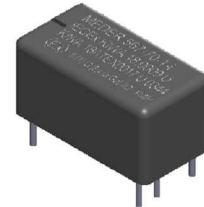


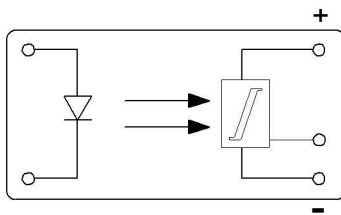
Dimensions mm[inch]
tolerances acc. to DIN ISO 2768-m
Toleranzen gem. DIN ISO 2768-m



Isometric
Scale 1:1
Maßstab 1:1



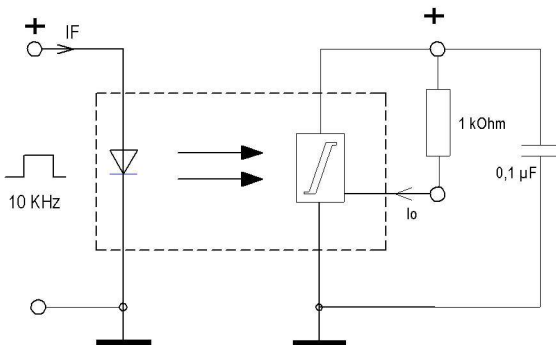
Layout
Top view
Draufsicht



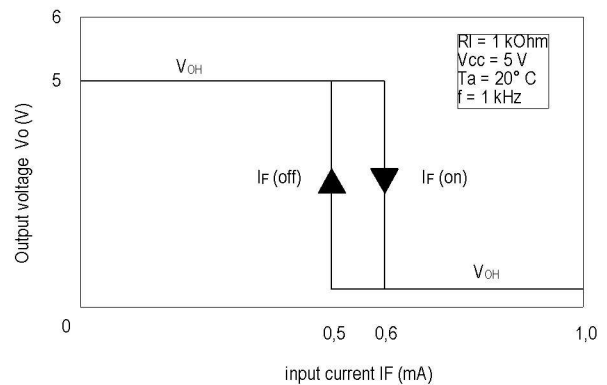
Marking
according to EN60062/factory code
gem. EN60062/Fertigungsstätte



Test circuit



Transfer characteristics (IFT)





Europe: +49 / 7731 8399 0

| Email: info@standexmeder.com

USA: +1 / 508 295 0771

| Email: salesusa@standexmeder.com

Asia: +852 / 2955 1682

| Email: salesasia@standexmeder.com

Item No.:

5217670010

Item:

567-70-1-i

Elect. Coupler Characteristic	Conditions	Min	Typ	Max	Unit
Input Threshold Current IFT	RL=1 kOhm, Vcc=5 V, Ta=20°C, f=1 kHz	0,6		3,5	mA
Turn-on 2 Ton	If=4 mA, Ucc=5V, RL=1kOhm		0,5		µS
Turn-off Time 2 Toff	If=4 mA, Ucc=5V, RL=1kOhm		0,5		µS
Cut-Off Frequency 2 Fco	If=4mA, Ucc=5V, RL=1kOhm		500		kHz
Insulation Distance Emitter-Detecto		6			mm
Insulation Resistance Input/Output	RH 45%	10			TOhm
Insulation Voltage Input/Output Uio		4.000			VDC
Coupling capacitance Cc			0,5		pF
Creeping Distance		14			mm
Air Path Input/Output		14			mm

Maximum Ratings Emitter	Conditions	Min	Typ	Max	Unit
DC Forward Current If				45	mA
Junction Temperature Tj				100	°C
Reverse Voltage Ur	Ir=100 microA			3	V
Surge Forward current Ifs	t<=10 ms			1	A

Maximum Ratings Detector	Conditions	Min	Typ	Max	Unit
Output Voltage Uol	If= 5 mA			0,6	VDC
Output Current Io				50	mA
Supply Voltage Ucc		4		5,5	VDC
Supply Current Is			4		mA
Junction Temperature Tj				100	°C
Collector Voltage Uc		-0,5		15	V
Power Dissipation Ptot				85	mW

Special Product Data	Conditions	Min	Typ	Max	Unit
Connection pins				cu-alloy, tinned	
Case colour				black	
Housing material				P6 G	
Reach / RoHS conformity				yes	
Sealing compound				Polyurethan	
Approval				KIWA 18ATEX0017 U	
Approval				IECEX KIWA 18.0009U	

Environmental data	Conditions	Min	Typ	Max	Unit
Ambient Temperature Ta		-20		85	°C
Storage temperature		-40		100	°C
Soldering temperature	wave soldering max. 5 sec.			260	°C
Shock	1/2 sine wave duration 11ms			50	g
Vibration	from 10 - 2000 Hz			20	g
Washability				fully sealed	

Modifications in the sense of technical progress are reserved

Designed at: 14.04.09 Designed by: KSCHIELENSKI Approval at: 20.11.09 Approval by: KOLBRICH

Last Change at: 20.09.18 Last Change by: SSSCHNECKENBURGER Approval at: 07.11.18 Approval by: DSTASTNY

Version: 09