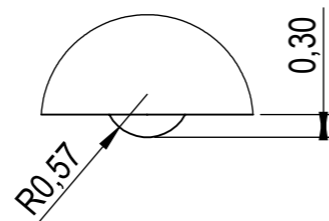
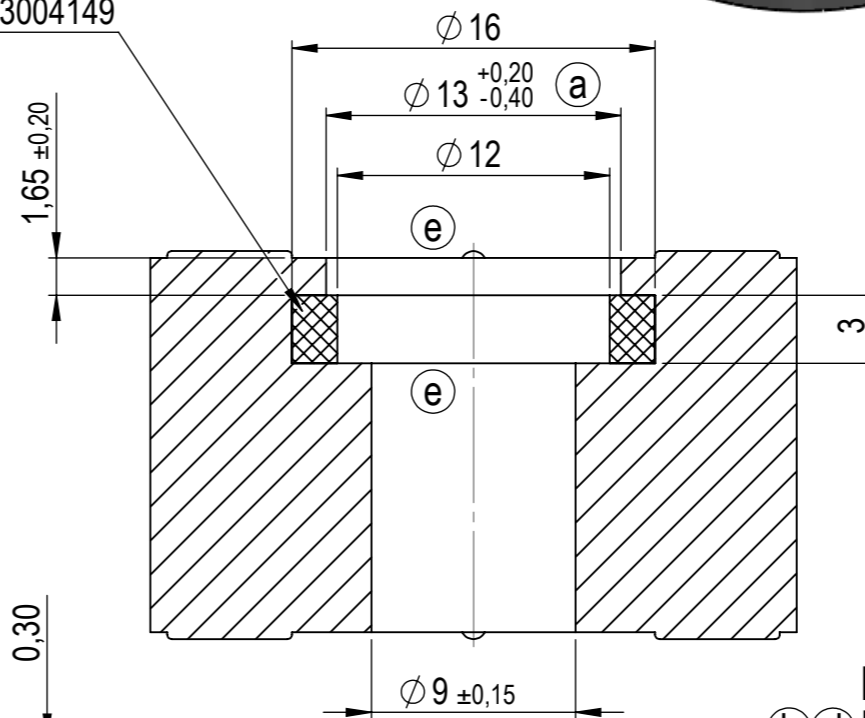


DETAIL B (4 : 1)

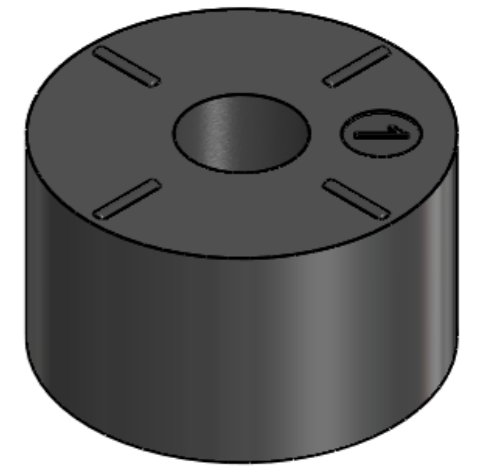
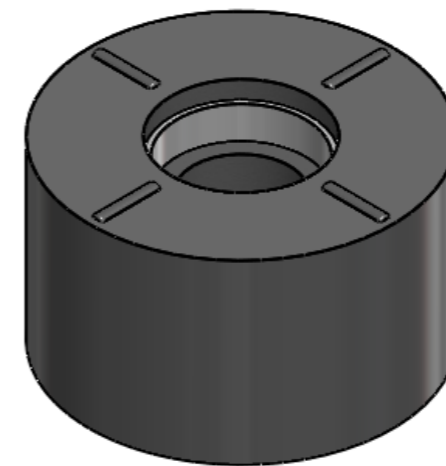


DETAIL C (10 : 1)

Ring magnet
p/n 4003004149



A-A (3 : 1)



Material of float: NITROPHIL MC
 (b)(d) Float weight: 3,20 ± 0,3 g

Magnet material: Hard Ferrit C1
 Energy product (BxH) max.: 8,36 kJ/m³
 Remanence Br: 230 mT
 Coercivity HcB : 148 kA/m
 Coercivity HcJ: 258 kA/m
 Magnetic moment: 5,2 ± 0,6 Vs*cm E-6
 Magnetization: axial

Application BV51057		Tolerance DIN ISO 2768-m	Surface	Scale: 2:1	Weight:
		created: 10.04.2014	wkovacs	Material: NITROPHYL MC	
		Sheet size: A3		MS-BV51057	
		dimensions in: mm			
04	e	mag. polarity orientation, N-S in the drawing, removed	26.11.2014	w.k.	Art.Nr./DrawingNr. 2500051057 www.meder.com
03	d	float weight was 2,55 g	11.08.2014	g.p.	
	c	ribs was: top 4 / bottom 8 mm	12.06.2014	w.k.	
	b	float weight added	12.06.2014	w.k.	
02	a	tol. was +0,1/-0,3 mm	12.06.2014	w.k.	
01		issued	21.05.2014	w.k.	PROPRIETARY AND CONFIDENTIAL THE INFORMATION CONTAINED IN THIS DRAWING IS THE SOLE PROPERTY OF MEDER electronic AG. ANY REPRODUCTION IN PART OR AS A WHOLE WITHOUT THE WRITTEN PERMISSION OF MEDER electronic AG IS PROHIBITED.
Rev.	state	change	date	name	

StandexMeder
Electronics GmbH
 Robert-Bosch-Str.4
 78224 Singen
 Tel.: +49(0)7731/8399-0
 Fax: +49(0)7731/8399-30