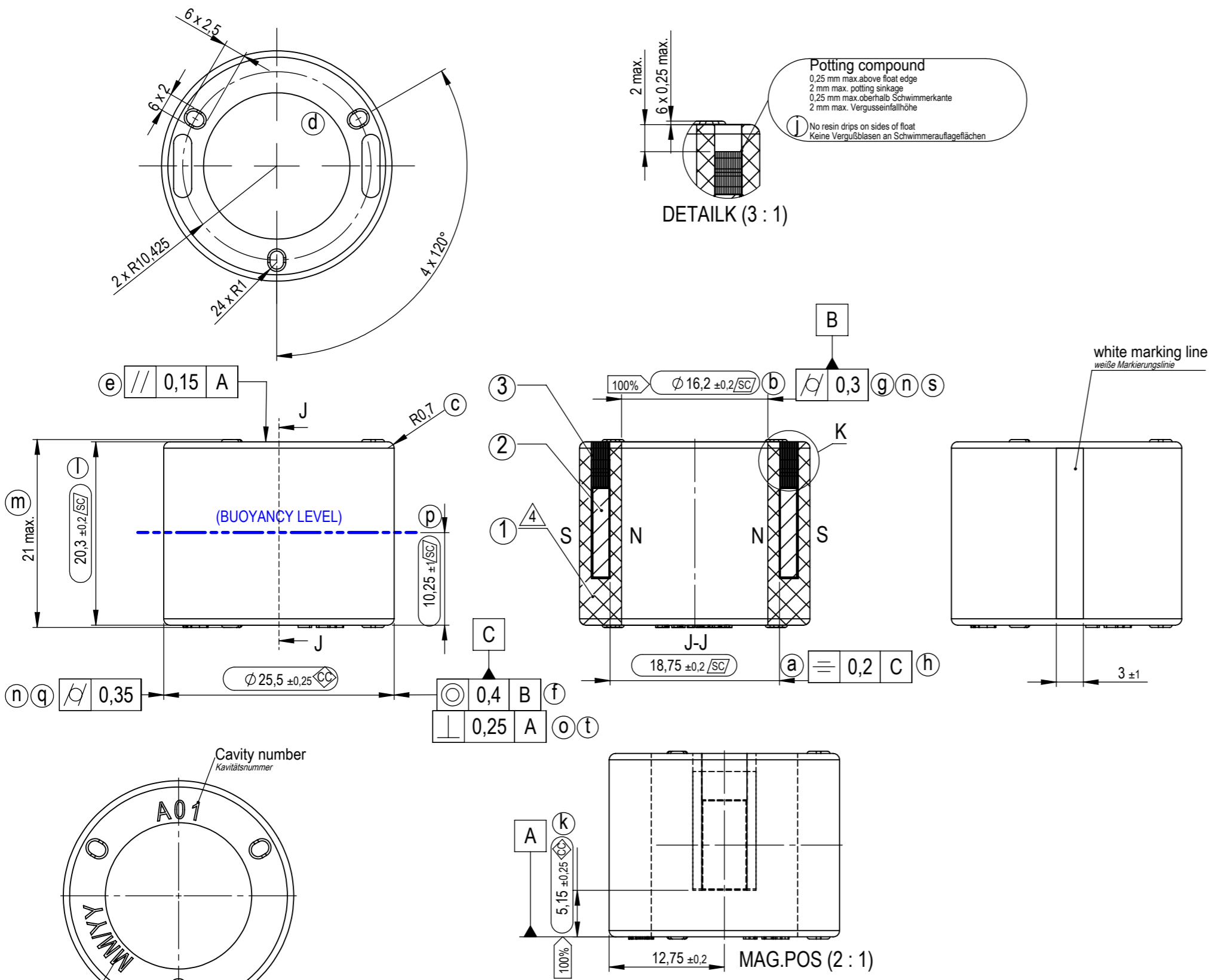
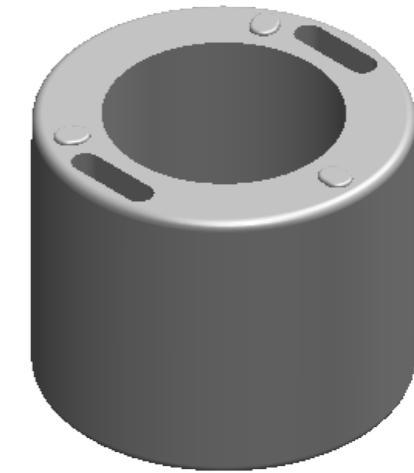


Pos.	Item designation	Ref/spec
1	Float body	Nitrophyl-K20
2	Block magnet	Sm2Co17, 10x5x2mm
3	Potting compound	AdBlue resistant epoxy resin to protect magnet (Epic Resins S7242)



Special product data	Min	Max	Unit
① Magn. value /SC/	91	105	Gauss
Roughness		3	Ra
Specification reference	DEV-CTS-15-153-D		
Deviation list reference	DEV-DL-16-87-A		
Remarks	dropped parts must be scrapped		

supplier EOL-test (100%)	Min	Max	Unit
② Polarity	-	-	i.O. / n.i.O.
③ Weight /SC/	2,6	3,1	g

Environmental data	Min	Max	Unit
Operating temperature	-40	+80	°C
Storage temperature	-40	+90	°C
Medium	AdBlue (ISO 22241)		
Life expectancy	15 years or 200000 miles		

Symbol	Definition
①	Drawing Revision
①.	Dimension Enumerator
○	Inspection Dimension
/SC/	Significant characteristics (Cp & Cpk = 1,00)
◇	Critical characteristics. (Cp & Cpk = 1,33)
100%	100% measurement by sub-contractor

Rev.	state	change	date	name	Rev.	state	change	date	name	Rev.	state	change	date	name
	u	was ◇	14.10.2016	G.P.		l	was 20 mm	13.10.2016	G.P.	05	d	inner contour removed	23.06.2016	G.P.
	t	was 0,2 mm	14.10.2016	G.P.	08	k	was 5 ± 0,25mm	13.10.2016	G.P.			CC: (Cp & Cpk) added	25.04.2016	G.P.
	s	was 0,2 mm	14.10.2016	G.P.		j	potting remark added	20.09.2016	G.P.	04		SC: (Cp & Cpk) added	22.04.2016	G.P.
09	q	was 0,2 mm	14.10.2016	G.P.	07	i	Magn. value = /SC/ added	20.09.2016	G.P.	03	d	inner contour added	05.04.2016	G.P.
	p	dim to stand-off 10,5mm	13.10.2016	G.P.		h	symmetry 0,2 added	02.08.2016	G.P.	02	c	was R1	01.03.2016	G.P.
	o	perpendicularity added	13.10.2016	G.P.		g	roundness 0,2 added	02.08.2016	G.P.	02	b	was 15,6 ± 0,15 mm	01.03.2016	G.P.
	n	cylindric form added	13.10.2016	G.P.		f	coaxiality 0,4 added	02.08.2016	G.P.	02	a	was 18 mm	01.03.2016	G.P.
	m	was 20,5 ± 0,35mm /SC/	13.10.2016	G.P.	06	e	parallelism 0,15 added	02.08.2016	G.P.	01		issued	24.05.2016	G.P.

Application	Tolerance DIN ISO 2768-m	Surface	Scale: 2:1
			Material: Nitrophyl-K20
			created: 24.04.2015 checked: 29.04.2016
			gpappalardo dvuckovic
			Sheet size: A3 dimensions in: mm
			Art.Nr./DrawingNr. 7910141TA (SME pin: 2500015597)
			Tool Nr.
			www.standexmeder.com

StandexMeder Electronics GmbH
 Robert-Bosch-Str.4
 78224 Singen
 Tel.: +49(0)7731/8399-0
 Fax: +49(0)7731/8399-30

PROPRIETARY AND CONFIDENTIAL
 THE INFORMATION CONTAINED IN THIS DRAWING IS THE SOLE PROPERTY OF StandexMeder Electronics GmbH. ANY REPRODUCTION IN PART OR AS A WHOLE WITHOUT THE WRITTEN PERMISSION OF StandexMeder Electronics GmbH IS PROHIBITED.

page 1 of 1