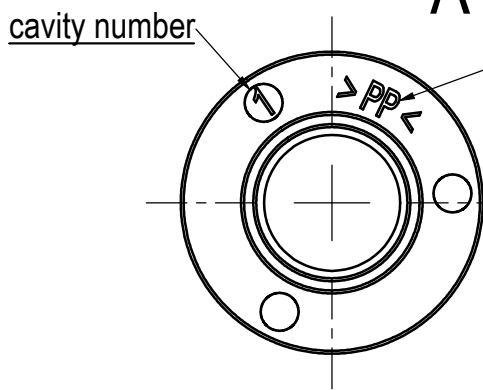


HF-magnet
magnetization across 3 mm
 $M_{\text{typical}} = 2,8 - 3,1 \text{ E-6 Vs*cm}$
b) Float weight = 3,0 - 3,25 g

NOTE
The Float has to sink in DIESEL
and to swim in water

The float has to work between both
liquides



Application 2210014993		Tolerance DIN ISO 2768-m		Surface		scale: 2:1	weight:
						material: Polypropylene PP	
			date	name		FLOAT MAGNET <i>Diesel - Water</i>	
			drawn 01.10.2008	wkovacs			
			ch.				
			stand.				
b)	was 2,9 - 3,3 g	23.06.10	W.K.	MEDER electronic AG Robert-Bosch-Str.4 78224 Singen Tel.:+49(0)7731/8399-0 Fax:+49(0)7731/8399-30		Art.Nr./DrawingNr.: 2500014993	
a)	added magnet polarization	21.04.10	W.K.			page	
state	change	date	name			of	
						replacement for:	replacement by:

