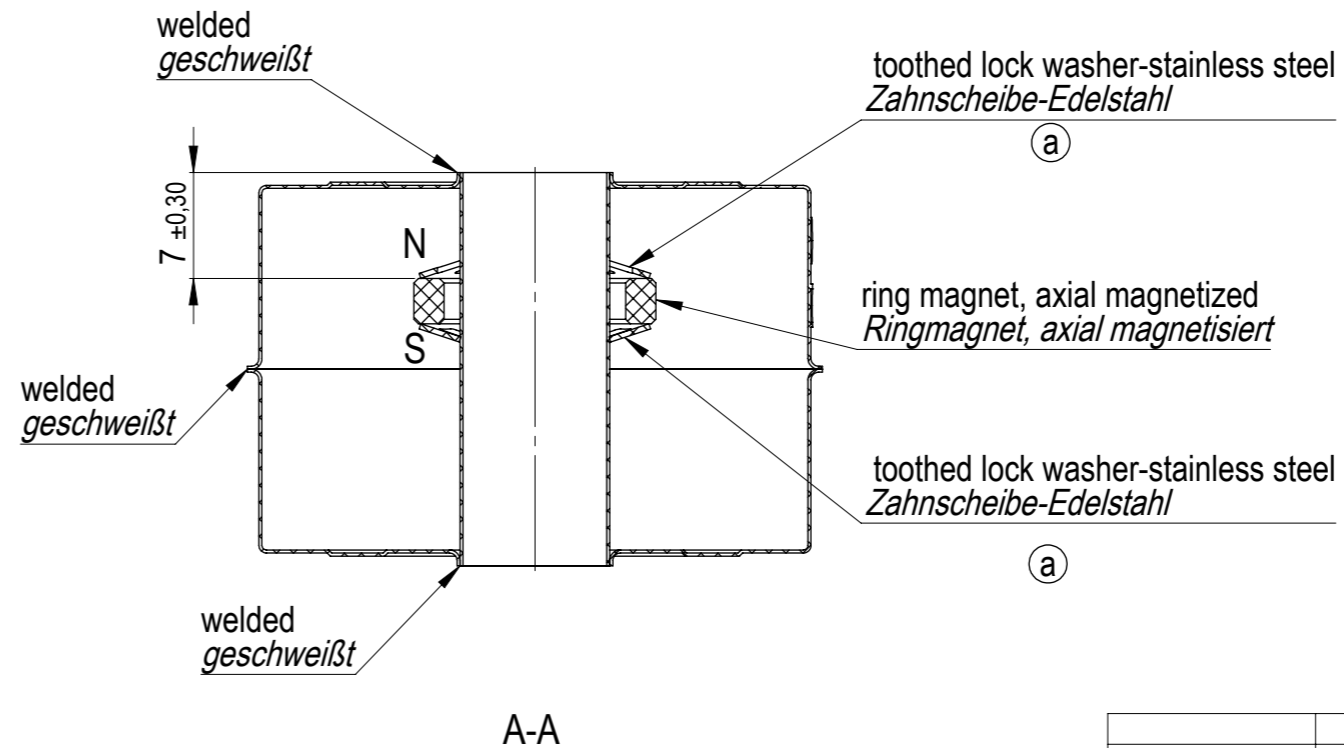
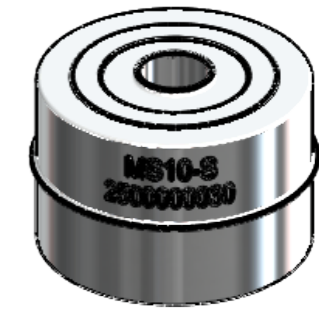
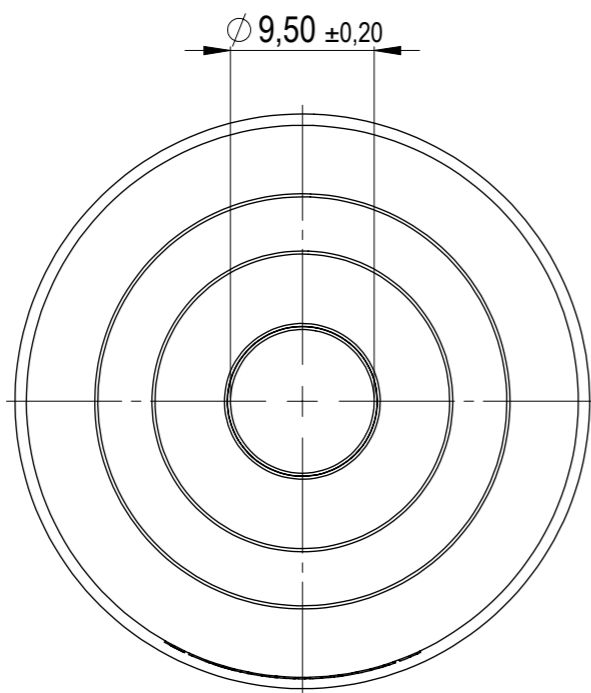
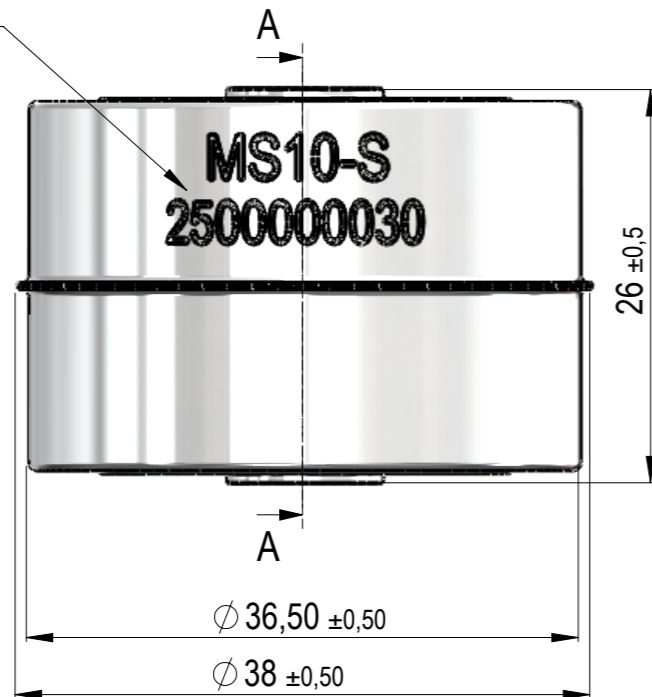


Type and p/n of the float mark also the position of magnet in the float
 Typ und Artikelnummer des Schwimmers markieren auch die Magnetposition im Schwimmer

marking applied by LASER process
 Markierung durch LASER-Verfahren angebracht



Float				
Material	Stainless steel AISI 316L (V4A)			
Colour	metallic polish			
Density (delivery status)	N/A			g/cm³
Magnet				
Type	Ring magnet			
Material	Hard ferrite C1			
Density typ.	N/A			g/cm³
Article.No	4003004149			
Magnetic moment (MS150)	Min.	Typ.	Max.	
	4,6	5,2	5,8	µVs*cm
	Floatingmagnet			
Remarks	axial magnetized			
Protection class	N/A			
Overall weight	Min.	Typ.	Max.	
	9,9	10,7	11,5	g
	Overall density	N/A		g/cm³
Recommendation for min. density of the used medium: Overall density of the Floatmagnet +20%				

Application		Tolerance DIN ISO 2768-m	Surface	Scale: 2:1	Weight:
				Material: ---	
		created: 10.07.2013	wkovacs	MS10-S	
		checked:			
		Sheet size: A3			
		dimensions in: mm			
		StandexMeder Electronics GmbH Robert-Bosch-Str.4 78224 Singen Tel.: +49(0)7731/8399-0 Fax: +49(0)7731/8399-30		Art.Nr./DrawingNr. 2500000030	
01	a	descrip. and materia of toothed washer added (stainless steel)	04.10.2016	w.k	Tool Nr. www.standexmeder.com
		issued in swx, previous versions archived in Navision	04.10.2016	w.k.	
Rev.	state	change	date	name	