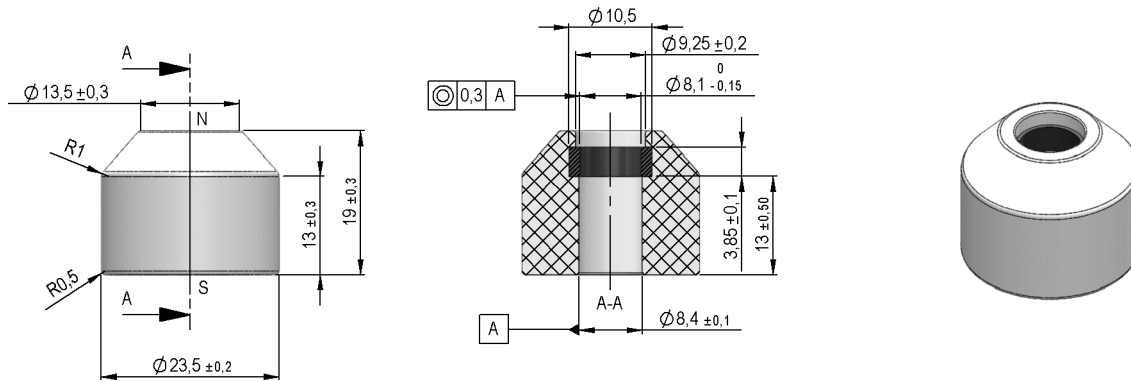


**Dimensions mm[inch]**  
 tolerances acc. to DIN ISO 2768-m  
 Toleranzen gem. DIN ISO 2768-m

**Isometric**  
 Scale 1:1  
 Maßstab 1:1



| Special Product Data | Conditions | Min      | Typ | Max | Unit |
|----------------------|------------|----------|-----|-----|------|
| Material of float    |            | PP natur |     |     |      |
| Float weight         |            | 3,5      |     | 3,9 | g    |

| Mag. values DIN IEC 60404-8- | Conditions          | Min            | Typ  | Max | Unit      |
|------------------------------|---------------------|----------------|------|-----|-----------|
| Energy product (B x H) max.  |                     |                | 8,36 |     | kJ/cu m   |
| Remanence Br                 |                     |                | 230  |     | mT        |
| Coercivity HcB               |                     |                | 148  |     | kA/m      |
| Coercivity HcJ               |                     |                | 258  |     | kA/m      |
| Magnetic moment              | measured with MS150 | 2,65           | 3,1  |     | E-6 Vs*cm |
| Magnet Material              |                     | Hard Ferrit C1 |      |     |           |
| Direction of Magnetization   |                     | axial          |      |     |           |