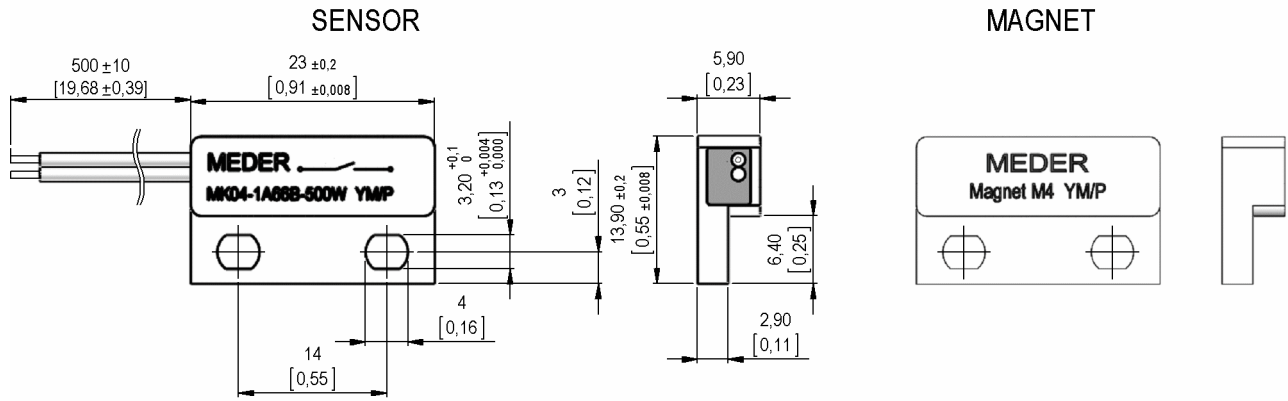
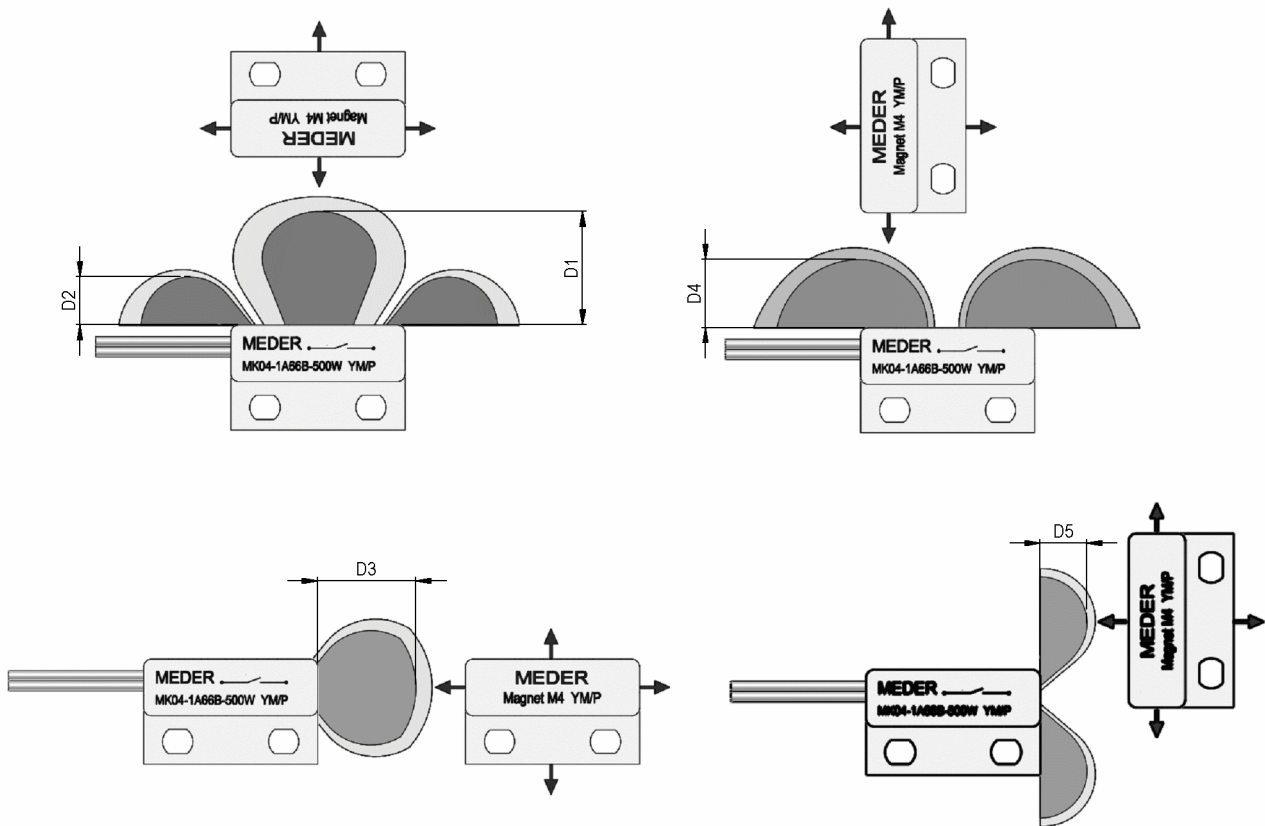


Dimensions mm[inch]
 tolerances acc. to DIN ISO 2768-m
 Toleranzen gem. DIN ISO 2768-m



ARRANGEMENTS



Description	Part number	Magnetic sensitivity mT	Position and Movement Max. Pull-in Distance in mm					Position and Movement Max. Drop-Out Distance in mm					Included in the Set Qty
			D1	D2	D3	D4	D5	D1	D2	D3	D4	D5	
MK04-1A66B-500W	2242661054	>1,70	15	6,5	9,3	8,5	8,5	17,5	8	11,4	10,1	10,1	1
M4-Magnet	2500000004	-	-	-	-	-	-	-	-	-	-	-	1



Europe: +49 / 7731 8399 0

| Email: info@standexmeder.com

Item No.:

USA: +1 / 508 295 0771

| Email: salesusa@standexmeder.com

2240000001

Asia: +852 / 2955 1682

| Email: salesasia@standexmeder.com

Item:

MK04-Set

Magnetic properties	Conditions	Min	Typ	Max	Unit
Pull-In	at 20°C	23		44	AT
Test equipment		KMS-14			

Special Product Data	Conditions	Min	Typ	Max	Unit
Contact - form		A - NO			
Contact rating	Any DC combination of V & A not to exceed their individual max.'s			10	W
Switching voltage	DC or Peak AC			180	V
Carry current	DC or Peak AC			1,25	A
Switching current	DC or Peak AC			0,5	A
Sensor-resistance	measured with 40% overdrive			300	mOhm
Housing material		PBT glass fibre reinforced			
Case color		white			
Sealing compound		Polyurethane			

Environmental data	Conditions	Min	Typ	Max	Unit
Shock	1/2 sine, duration 11ms, in 3 axis			50	g
Vibration	from 10 - 2000 Hz			20	g
Operating temperature	cable not moved	-30		70	°C
Operating temperature	cable moved	-5		70	°C
Storage temperature		-30		70	°C

Cable specification	Conditions	Min	Typ	Max	Unit
Cable type		flat cable			
Cable material		PVC			
Cross section		0,14 sq-mm			

General data	Conditions	Min	Typ	Max	Unit
Tightening torque	Screw M3 ISO 1207 Disk ISO 7089			0,5	Nm
Mounting advice		over 5m cable, a resistor is recommended.			

Modifications in the sense of technical progress are reserved

Designed at: 13.07.11 Designed by: WKOVACS

Approval at: 11.01.16 Approval by: DKUECHLER

Last Change at: Last Change by:

Approval at: Approval by:

Rev. No.: 01