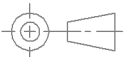
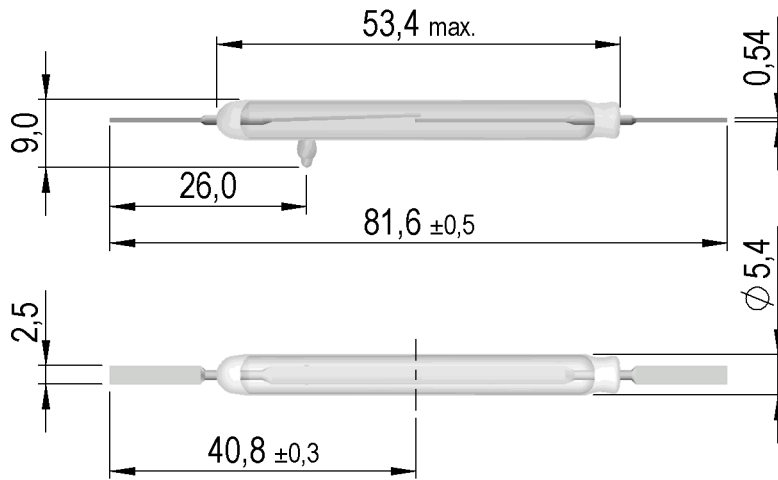


**Preliminary Datasheet**


tolerances according to DIN ISO 2768 m

Magnetic properties	Conditions	Min	Typ	Max	Unit
Pull-In excitation (Reference value)	Reed switch unmodified measured in coil- "define operation"	110		120	AT
Test-Coil	Reed switch unmodified	KMS-04			

Contact data 83/1	Conditions	Min	Typ	Max	Unit
Contact-No.		83			
Contact-form		A			
Contact-material		Tungsten			
Contact rating	Any DC combination of V & A not to exceed their individual max.'s			50	W
Switching voltage	DC or Peak AC			7.500	V
Switching current	DC or Peak AC			3	A
Carry current	DC or Peak AC			5	A
Contact resistance static	Measured with 40% overdrive Start Value			100	mOhm
Insulation voltage	RH <45 %, 100 V test voltage	10			GOhm
Breakdown voltage	according to IEC 255-5	10.000			VDC
Operate time incl. bounce	measured with 40% overdrive			3,2	ms
Release time	measured with no coil excitation			1,5	ms
Capacity	@ 10 kHz across open switch		1		pF

Contact dimensions	C	Conditions	Min	Typ	Max	Unit
Overall length		Tolerance according to drawing		81,6		mm
Glass body length		Tolerance according to drawing		53,4		mm

Environmental data	Conditions	Min	Typ	Max	Unit
Shock	1/2 sine wave duration 11ms			50	g
Vibration	from 10 - 2000 Hz			20	g
Ambient temperature		-20		130	°C
Storage temperature		-55		130	°C
Soldering temperature	wave soldering max. 5 sec.			260	°C

Modifications in the sense of technical progress are reserved

Designed at: 08.06.09 Designed by: AKELLER

Approval at:

Approval by:

Last Change at: Last Change by:

Approval at:

Approval by:

Version: 01